

STANDARD BIDDING DOCUMENT

Procurement of Small Works

(up to Nu.5 million)



Royal Government of Bhutan
Ministry of Finance

2019

STANDARD BIDDING DOCUMENTS

Procurement of Small Works

(up to Nu.5 million)



Royal Government of Bhutan
Ministry of Finance

2019

PREFACE

This Standard Bidding Document for the Procurement of small works up to Nu. 5 million has been prepared by the Government Procurement and Property Management Division (GPPMD), Ministry of Finance to be used for the Procurement of small works through National Competitive Bidding (NCB) in projects that are financed in whole or in part by the Royal Government of Bhutan (RGoB). It should be used in conjunction with the Procurement Rules and Regulations. This document will come into effect from 1st July, 2019.

For any comments or clarifications on this standard bidding document contact:

Government Procurement and Property Management Division
Department of National Properties
Ministry of Finance
Royal Government of Bhutan

Guidance Notes on the Use of the Standard Bidding Document for small works *(This note should be deleted while preparing the bidding document)*

This guidance notes have been prepared by the GPPMD to assist a Procuring Agency in the preparation and using of Standard Bidding Document (SBD), for the procurement of small works. The Procuring Agency should also refer to the Procurement Rules and Regulations and the circulars and Notifications issued from time to time to supplement the Regulations.

The use of SBD applies for the Open bidding method and also for the limited bidding method, whereby bids are invited from a list of bidders. The SBD small work should only be used for Contracts of short duration and of low risk/value.

This SBD has 9 Sections, of which Section 1: (Instruction to Bidders) and Section 5: (General Conditions of Contract) must not be altered or modified under any circumstances.

The Procuring Agency shall address specific needs through the **Bidding Data Sheet (BDS)** and the **Special Conditions of Contract (SCC)**, as well as in the detailed requirements of the procurement in the **Schedule of Works** and/or the **Drawings/specifications**.

The following briefly describes the Sections of SBD and how a Procuring Agency should use these when preparing a particular Bidding Document.

Section 1. Instructions to Bidders (ITB)

This Section provides relevant information to help Bidders prepare their Bids. Information is also provided on the submission, opening, and evaluation of Bids and on the award of Contract.

This Section also contains the criteria to be used by the Employer in order to determine the lowest evaluated Bid and the qualifications of the Bidder to perform the Contract. **The text of the clauses in this Section shall not be modified.**

Section 2. Bidding Data Sheet (BDS)

This Section consists of provisions that are specific to each procurement and supplements information or requirements included in Section 1: Instructions to Bidders.

Section 3. Evaluation and Qualification Criteria

This section contains all the criteria that the Employer shall use to evaluate bids and qualify Bidders if the bidding was not preceded by a prequalification exercise and post qualifications are applied. The Bidder shall provide all the information requested in the forms included in Section 4 (Bidding Forms).

Section 4. Bidding forms

This Section provides the standard format for the **Bid Form, Bid Securing Declaration and qualification information forms** that are to be submitted by the Bidder.

Section 5. General Conditions of Contract (GCC)

This Section provides the General Conditions of Contract that will apply to the Contract for which the Bidding Document is issued. **The text of the clauses in this Section shall not be modified.**

Section 6. Special Conditions of Contract (SCC)

This Section provides clauses specific to the Special Conditions to a particular Contract. This can be modified according to requirements specific to the contract .

Section 7. Contract Forms

This section contains forms which, once completed, will form part of the Contract. The forms for Performance Security and Advance Payment Security, when required, shall only be completed by the successful Bidder after Contract award.

Section 8. Bill of Quantities

This Section provides the items and estimated quantities of Works and Related Services to be performed, as well as the detailed Technical Specifications that describe the Works to be procured and must be carefully prepared by a Procuring Agency for each procurement.

Section 9. Drawings

This Section contains any Drawings that supplement the Schedule of Works including Specifications for the Works and Related Services to be procured.

INVITATION FOR BID (IFB)

ཚུ་དང་གནམ་གཤེས་ལག་ལེན་དང་རེན་གཞི་སེ་ཚན།
རྒྱལ་ཡོངས་ཚུ་དབྱུང་དང་གནམ་གཤེས་རིག་པའི་ལེ་བ།

Hydro-Met Operation and Infrastructure Division
National Center For Hydrology and Meteorology Thimphu:
Bhutan



Ref No: NCHM/HOID/Tender/Qut-11/2019-20/235 (2)

Dated: 21/10/2019

1. Hydro-Met Operation and Infrastructure Division, NCHM would like to invite sealed bids from eligible and qualified Bhutanese Contractors having valid trade license for the work “**Construction of Boundary fencing and water supply at Kurji, Bumthang and Boundary Fencing at Tang**” as per the the detail below:

Name of Work	Bid Security (Nu.)	Sale of Tender	Last Date of Submission of Bid	Date & Time of opening Tender
--------------	-----------------------	-------------------	-----------------------------------	----------------------------------



“Construction of Boundary fencing and water supply work at Regional Office, Kurjey, Bumthang and Boundary Fencing of station at Tang”	16,000/-	22/10/2019 to 20/11/2019	20/11/2019 on or before 1200hrs	20/11/2019 1430hrs
--	-----------------	-----------------------------	------------------------------------	-----------------------

2. Bid can be downloaded from our web site <http://www.nchm.gov.bt/home/homeview/4> for free. Printed documents will not be provided.
3. Interested Bidders may visit the site before submission of the bid.
4. Bids must be submitted to **Chief Engineer, Hydro-Met Operation and Infrastructure Division, National Center for Hydrology and Meteorology, MoEA Complex, Thimphu** at or before **1200 hrs on 20 November, 2019**. Late Bids will be rejected. Bids will be opened physically in the presence of the bidders or bidder’s representative who wish to attend on 20 November, **at 1430 hrs in the National Center for Hydrology and Meteorology’s Mini Conference Hall of NCHM, Thimphu, Bhutan.**
5. All Bids must be accompanied by a Bid Securing Declaration as per the sample provided in Section 4 in this bidding document

OR

All Bids must be accompanied by a Bid Security of **Nu. 16000/- (Ngultrum Sixteen-Thousand)** only in the form of Demand Draft or Cash Warrant in favour of **Deputy Chief Finance Officer, National Center for Hydrology and Meteorology, Thimphu, Bhutan.**

6. Interested eligible Bidders may obtain further information through written request, facsimile and or email from the **Site Engineer, Ms Sonam Choki and Mr Norbu Wangdi**, at Email: norbuw78@gmail.com; sonamchoki@nchm.gov.bt Phone: 17649745, 17848715 during office hours.
7. The bidders are requested to submit valid Trade License and Tax Clearance Certificate, failing to which bid will be rejected.

**Chief
HOID, NCHM**

vii

CONTENTS

Invitation For Bid (IFB)	v
--------------------------------	---

Section 1: Instructions to Bidder (ITB)	1
A. General	1
1. Scope	1
of Tender	1
2. Corrupt Fraudulent Collusive or Coercive Practices	1
3. Eligible Bidders.....	2
4. Site Visit	2
B. Content of Bidding Document	2
5. Contents of Bidding Documents	2
6. Clarification of Bidding Documents	3
7. Amendment of Bidding Documents	3
C. Preparation of Bids	3
8. One Bid per Bidder	3
9. Bid Preparation Costs	3
10. Language of Bid	3
11. Documents comprising the Bid	3
12. Form of Bid	4
13. Alternative Bid	4
14. Bid Price and Discount	4
15. Currencies of Bid and Payment	4
16. Documents comprising the Technical Proposal	4
17. Documents establishing the Qualification of the Bidder	4
18. Bid	5
Validity	5
19. Bid Securing Declaration	5
20. Format and Signing of Bid	5
D. Submission and Opening of Bids	6
21. Sealing and Marking of Bids	6
22. Bid Submission Deadline	6
23. Late Bids	6
24. Modification, Substitution or Withdrawal of Bids	6
25. Bid Opening	6
E. Tender Opening and Evaluation	7
26. Confidentiality	7
27. Clarification	7
28. Bidder Contacting the Employer	7
29. Determination of Responsiveness	7
30. Non Conformities, Errors and Omissions	8
31. Evaluation of Bids	8
vii	
32. Abnormally Low Bids	9
33. Seriously unbalanced Bids or Front Loaded	9
34. Employer's Right to Accept or Reject any or all	10
F. Contract Award	10
35. Award Criteria.....	10

36. Letter of Intent to Award the Contract/ Letter of Acceptance	10
37. Debriefing by Employer	11
38. Complaints	11
Section 2 - Bidding Data Sheet	12
G. General	12
H. Bidding Documents	12
I. Preparation of Bids	12
J. Submission and Opening of Bids	12
K. Award of Contract	13
Section 3 – Evaluation and Qualification Criteria	14
Section 4: Bidding Forms	15
Standard Form: Form of Bid	16
Form of Bid-Securing Declaration	17
Standard Form: Qualification Information	188
Standard Form: Letter of Intent	21
Section 5. General Conditions of Contract	22
1. Definitions	22
2. Interpretation & Documents forming the Contract	23
3. Corrupt, Fraudulent, Collusive or Coercive Practices	23
4. Governing Language and Law	24
5. Engineer’s Decision	24
6. Delegation	24
7. Communications and Notices	24
8. Sub- Contracting	24
9. Contractor’s Personnel & Equipment	24
10. Welfare of Labourers & Child Labour	25
11. Safety, Security and Protection of the Environment	25
12. Access to the Site	25
13. Documents & Information.	25
14. Property.....	25
15. Insurance	25
16. Possession of the Site	26
17. Commencement of Works	26
18. Completion of Works	26
19. Programme of Works	26
20. Early Warning	26
21. Compensation Events	26
22. Non-Scheduled Items of Works	27
23. Schedule of Works	27
24. Payment Certificates	27
25. Payments	27ix

26. Changes in Quantities ¹⁰	28
27. Variations	29
28. Retention	30
29. Liquidated Damages.....	30
30. Performance Security	30
31. Price Adjustment	30
32. Completion	31
33. Correction of Defects	31
34. Taking Over	31
35. Final Account	32
36. Termination	32
37. Payment upon Termination	33
38. Release from Performance	33
39. Force Majeure	33
40. Settlement of Disputes	34
Section 6. Special Conditions of Contract	35
Section 7 – Contract Forms	37
Letter Of Acceptance	38
Contract Agreement	39
Bank Guarantee For Performance Security	40
Performance Guarantee No:	40
Bank Guarantee For Mobilisation Advance	41
Advance Payment Guarantee No:	41
Section 8. Bill of Quantities (BoQ)	42

SECTION 1: INSTRUCTIONS TO BIDDER (ITB)

1. Scope of Tender
- 1.1. **A. General**
- The Employer, as **indicated in the BDS** issues this Bidding Document for the procurement of Works. The name, identification and identification of this bidding are **provided in the BDS**.
- 1.2.
- The successful Bidder will be required to complete the Works within the Time for Completion stated in the Special Conditions of Contract (SCC).
- 1.3.
- Throughout this Bidding Documents;
- (a) The term “in writing means communicated in written form with proof of receipt;
- (b) If the context so requires, singular means plural and vice versa; and
2. Corrupt Fraudulent Collusive or Coercive Practices
- 2.1. (c) “day” means calendar day.
- The Royal Government of Bhutan requires that Employers and the Bidders shall observe the highest standard of ethics during the implementation of procurement proceedings and the execution of Contracts under public money.
- 2.2.
- In pursuance of this requirement, the Employer shall
- (a) exclude the bidder from participation in the procurement proceeding concerned or reject a proposal for award; and
- (b) declare a bidder ineligible, either indefinitely or for a stated period of time, from participation in procurement proceedings under public money;
- If it, at any time, determines that the bidder has engaged in corrupt, fraudulent, collusive or coercive practices in competing for, or in executing, a Contract under the public money.
- 2.3.
- The Government defines, for the purposes of this provision, the terms set forth below as follows :
- (a) “**corrupt practice**”¹ is the offering, giving, receiving or soliciting, directly or indirectly, of anything of value to influence improperly the actions of another party;

¹ 'Another party' refers to a public official acting in relation to the procurement process or contract execution.

- (b) **“fraudulent practice”**¹ is any intentional act or omission including misrepresentation, that knowingly or recklessly misleads, or attempts to mislead, a party to obtain a financial or other benefits or to avoid an obligation;
- (c) **“collusive practice”**² is an arrangement between two or more parties designed to achieve an improper purpose, including to influence improperly the actions of another party;
- (d) **“Coercive practice”**³ is impairing or harming or threatening to impair or harm, directly or indirectly, any party or the property of the party to influence improperly the actions of a party.

2.4. The bidder shall be aware of the provisions on fraud and corruption stated in GCC Clause 3 and GCC Sub-Clause 36.2(d).

2.5. The RGoB requires that the Employer’s personnel have an equal obligation not to solicit, ask for and/or use coercive methods to obtain personal benefits in connection with the said proceedings.

3. Eligible Bidders

3.1. Bidders of the categories **specified in the BDS** are eligible to participate in this bidding process.

4. Site Visit

4.1. The Bidders, at their own responsibility and risk, is encouraged to visit and examine the Site and obtain all information that may be necessary for preparing the bid and entering into a Contract for performance of the Works. The costs of visiting the Site shall be at the bidder’s own expense.

B. Content of Bidding Document

5. Contents of Bidding Documents

5.1. The sections comprising the Bidding Document are listed below and should be read in conjunction with any amendment issued in accordance with ITB Clause 7:

PART 1 Bidding Procedures

- Section 1: Instructions to Bidders (ITB)
- Section 2: Bidding Data Sheet (BDS)
- Section 3: Evaluation and Qualification Criteria
- Section 4: Bidding forms
- Section 5: General Conditions of Contract (GCC)
- Section 6: Special Conditions of Contract (SCC)
- Section 7: Contract Forms
- Section 8: Bill of Quantities & Specifications
- Section 9: Drawings

¹ A ‘party’ refers to a public official; the term ‘benefit’ and ‘obligation’ relate to the procurement process or contract execution; and the ‘act or omission’ is intended to influence the procurement process or contract execution.

² ‘parties’ refers to participations in the procurement process including public officials attempting to establish bid prices at artificial, non competitive levels.

³ A ‘party’ refers to a participant in the procurement in the procurement process or contract execution.

5.2. The Employer is not responsible for the completeness of the Bidding Document and any addendum, if they were not obtained directly from the source stated by the Employer in the Invitation for Bids.

5.3. The Bidder is expected to examine all instructions, forms, terms, and specifications in the Bidding Documents. Failure to furnish all information or documentation required by the Bidding Documents may result in the rejection of the bid.

6. Clarification 6.1. A prospective Bidder requiring any clarification of the Bidding of Bidding Document shall contact the Employer in writing at the Employer's Documents address **indicated in the BDS.**
7. Amendment 7.1. At any time prior to the deadline for submission of Bid, the Employer of Bidding may amend the Bidding Document by issuing addenda and extend the Documents deadline for the submission of bids at its discretion. Any amendment issued shall become an integral part of the Bidding Document and shall be communicated in writing to all those who have purchased the Bidding Document.

C. Preparation of Bids

8. One Bid per Bidder 8.1. A Bidder shall submit only one (1) Bid. A Bidder who submits or Bidder participates in more than one (1) Bid shall cause all the proposals with the Bidder's participation to be disqualified.
9. Bid Preparation 9.1. The Bidder shall bear all costs associated with the preparation Costs and submission of its Bids, and the Employer shall in no case be responsible or liable for those costs, regardless of the conduct or outcome of the Bidding process.
10. Language of Bid 10.1. All documents relating to the Bid shall be in the language specified in the BDS.
11. Documents the Bid 11.1. The original and copy(ies) of Bid submitted by the Bidder shall comprising the Bid comprise the following:
- (a) The Bid form (in the format indicated in Section 4);
 - (b) License and certificate
 - (c) Bid Securing Declaration in accordance with Clause 19;
 - (d) Priced Bill of Quantities;
 - (e) **Qualifications:** documentary evidence in accordance with ITB 17 establishing the Bidder's qualifications to perform the Contract;
 - (f) written confirmation authorizing the signatory of the Bid to commit the Bidder, in accordance with ITB sub-clause 20.2;
 - (g) Alternative offers where invited;
 - (h) and any other materials required to be completed and submitted by Bidders, as specified in the BDS.

- 11.2. The Instruction to Bidders, Bidding Data Sheet, General Conditions of Contract, Special Conditions of Contract, Specifications and drawings are for the information of the bidders and is not required to be submitted by the bidder.
12. Form of Bid 12.1. The form of Bid, Schedules, and all documents listed under Clause 11, shall be prepared using the relevant forms in Section 4 (Bidding Forms). The forms must be completed without any alterations to the text, and no substitutes shall be accepted. All blank spaces shall be filled in with the information requested.
13. Alternative Bid 13.1. Alternative Bid shall not be considered in small works.
14. Bid Price and Discount 14.1. The prices and discounts quoted by the Bidder in the form of Bid and in the Schedules shall confirm to the requirements specified below;
- 14.2. The bidder shall submit a bid for the whole of the works described in ITB 1.1 by filling in prices for all items of the Works, as identified in Section 4, Bidding Forms. In case of admeasurement contracts, the Bidder shall fill in rates and prices for all items of the Works described in the Bill of Quantities. Items against which no rate or price is entered by the Bidder will not be paid for by the Employer when executed and shall be deemed covered by the rates for other items and prices in the Bill of Quantities.
- 14.3. The Bid price shall take into account the cost of materials, transportation, labour, taxes, levies, overheads and profit and any other cost. The Bid price shall be applicable for the whole works described in the Drawings, Specifications and Schedule of Works.
15. Currencies of Bid and Payment 15.1. All prices shall be quoted in Bhutanese Ngultrum (BTN) and shall be paid in BTN.
16. Documents comprising the Technical Proposal 16.1. The bidder shall furnish a work plan in simple bar chart and other information if provided in BDS, to demonstrate the adequacy of the Bidders' proposal to meet the work requirements and the completion time.
17. Documents establishing the Qualification of the Bidder 17.1. To establish its qualification to perform the Contract in accordance with Section 3 (Evaluation and Qualification Criteria) the Bidder shall provide the information requested in the corresponding information sheets included in Section 4 (Bidding Forms)
18. Bid Validity 18.1. Bids shall remain valid up to the date **specified in the BDS**. Any Bids which does not meet the validity requirement shall be rejected by the Employer as non-responsive.
19. Bid Securing Declaration 19.1. The Bidder shall furnish as a part of its Bid, a Bid-Securing Declaration using the form included in Section 4, Bidding Forms.
- 19.2. The Bid Securing Declaration shall be valid for thirty (30) days beyond the bid validity period. In exceptional circumstances, prior to the

expiration of the Bid validity period, the Employer may solicit the Bidder's consent to an extension of the Bid validity period. The request and responses shall be made in writing. The validity of Bid Securing Declaration shall be suitably extended.

19.3. Any bid not accompanied by a Bid-Securing Declaration in the prescribed format shall be rejected by the Employer as non-responsive.

19.4. The Bid-Securing Declaration shall be executed:

- (a) If the Bidder withdraws the Bid after Bid opening during the period of Bid validity.
- (b) If the Bidder does not accept the correction of the Bid price, pursuant to ITB clause 30; or
- (c) In the case of a successful bidder, if the bidder fails within the specified time limit to sign the Agreement; or furnish the required Performance Security.

19.5. In case Bid Securing Declaration is executed in pursuant to ITB sub-clause 19.4 the bidder shall deposit the bid security amount specified in the BDS within 14 days from date of notification by Employer.

19.6. In case the bidder fails to comply with ITB sub-clause 19.5, bidder shall be excluded from being eligible for Bidding or submitting Bid in any tender with the Employer for a period of two years.

20. Format and Signing of Bid 20.1. The Bidder shall prepare one (1) original of the documents comprising the Bid as described in ITB Clause 11 and clearly mark it "ORIGINAL." In addition, the Bidder shall prepare the number of copies of the Bid, as specified in the BDS and clearly mark each of them "COPY." In the event of any discrepancy between the original and the copies, the original shall prevail.

20.2. The original and each copy of the Bid shall be typed or written in indelible ink and shall be signed by the person duly authorized to sign on behalf of the Bidder.

20.3. Any interlineations, erasures, or overwriting shall be valid only if they are signed or initialled by the person(s) signing the Bid.

D. Submission and Opening of Bids

21. Sealing and Marking of Bids 21.1. The Bidder shall enclose the original in one (1) envelope and all the copies of the bid in another envelope, duly marking the envelopes as "ORIGINAL" and "COPY." These two (2) envelopes shall then be enclosed in one (1) single outer envelope.

21.2. The inner envelopes shall:

- (a) Be signed across the seals by the person authorised to sign the Bid on behalf of the Bidder;

(b) Be marked "ORIGINAL" and "COPY" and (c) Bear the name and address of the Bidder.

21.3. The outer envelope shall;

- (a) Be sealed with adhesive or other sealant to prevent reopening;
- (b) be addressed to the Employer at the address specified in the BDS; bear a statement "DO NOT OPEN BEFORE....." the time and date for Bid opening as specified in the BDS.

21.4. If all or any envelopes are not sealed and marked as required by ITB Sub-Clause 21, the Employer shall not reject the bids but assume no responsibility for the misplacement or premature opening of the Bid

22. Bid Submission
Deadline

22.1. Bids must be received by the Employer at the address and no later than the date and time **specified in the BDS.**

22.2. Bids may be hand delivered, posted by registered mail or sent by courier.

22.3. The Employer may, at its discretion, extend the deadline for the submission of Bids by amending the Bidding Document in accordance with ITB Clause 7, in which case all rights and obligations of the Employer and Bidders previously subject to the deadline shall thereafter be subject to the new deadline as extended.

23. Late Bids

23.1. Late bids shall not be considered and shall be returned unopened.

24. Modification,
Substitution or
Withdrawal of
Bids

24.1. A Bidder may modify, substitute or withdraw their Bids after it has been submitted by sending a written notice before the deadline for submission of Bids.

25. Bid Opening

25.1. The Employer shall open the Bids in the presence of the bidders attending the bid opening, including modifications or substitutions made pursuant to ITB Clause 24. Bidders or their representatives shall be allowed to attend and witness the bid opening and shall sign a register evidencing their attendance.

25.2. The name of the Bidder, Bid modifications, substitutions or withdrawals, total amount of each Bid, number of corrections, discounts, and the presence or absence of Bid Securing Declaration, and such other details as the Employer, at its discretion, may consider appropriate, shall be read out aloud and recorded.

25.3. The Employer shall prepare minutes of the Bid opening. The minutes shall include, as a minimum, the name of the Bidders and whether there has been a withdrawal, substitution or modification; the Bid Price including any discounts and the presence or absence of a Bid Securing Declaration, if required.

E. Tender Opening and Evaluation

26. Confidentiality
- 26.1. After the opening of Bids, information relating to the examination, clarification, and evaluation of Bids and recommendations for award shall not be disclosed to Bidders or other persons not officially concerned with the evaluation process until after the issuance of Letter of Intent to award the Contract.
27. Clarification
- 27.1. The Employer may ask Bidders for clarification of their Bids in order to facilitate the examination and evaluation of Bids. The request for clarification and the response shall be in writing, and any changes in the prices or substance of the Bid shall not be sought, offered or permitted, except to confirm the correction of arithmetical errors discovered by the Employer in the evaluation of the Bids, in accordance with ITB Clause 30.
28. Bidder
Contacting the
Employer
- 28.1. Following the opening of Bids and until the letter of Intent to award the Contract is issued no Bidder shall make any unsolicited communication to the Employer or try in any way to influence the Employer's examination and evaluation of Bids which may result in the rejection of bids. If any Bidder wishes to contact the Employer on any matter related to the Bidding process, it should do so in writing.
29. Determination of
Responsive-
ness
- 29.1. Prior to detailed evaluation of bids, the employer shall determine whether each bid (a) meets the eligibility criteria defined in ITB clause 3; (b) has been properly signed; (c) is accompanied by the bid securing declaration; and (d) is substantially responsive to the requirements of the bidding documents.
- 29.2. A substantially responsive Bid is one that conforms in all respects to the requirements of the Bidding Document without material deviation, reservation or omission. A material deviation, reservation or omission is one that:
- (a) affects in any substantial way the scope, quality, or performance of the Works specified in the Contract; or
 - (b) limits in any substantial way, or is inconsistent with the Bid Document, the Employer's rights or the Bidder's obligations under the Contract; or
 - (c) if rectified would unfairly affect the competitive position of other Bidders presenting substantially responsive Bids.
- 29.3. If a Bid is not substantially responsive to the Bidding Document it shall be rejected by the Employer and shall not subsequently be made responsive by the Bidder by correction of the material deviation, reservation or omission.

30. Non Conformities, Errors and Omissions

30.1. The Employer may regard a Bid as responsive even if it contains minor deviations that do not materially alter or depart from the characteristics, terms, conditions and other requirements set forth in the Bidding Document or if it contains errors or oversights that are capable of being corrected without affecting the substance of the Bid.

30.2. Where there is a discrepancy between the amounts in figures and words, the amount in words will govern. If a Bidder refuses to accept the correction, its Bids shall be rejected. The Employer shall correct arithmetical errors on the following basis:

- i. if there is a discrepancy between the unit price and the line item total, the unit price shall prevail and the total price shall be corrected, unless in the opinion of the Employer there is an obvious misplacement of the decimal point in the unit price, in which case the total price, as quoted, shall govern and the unit price shall be corrected; and

31. Evaluation of Bids

31.1. The Employer shall evaluate and compare only those Bids determined to be substantially responsive to the requirements of the Bidding Document.

31.2. To evaluate a bid, the employer shall consider the following:

- (a) making appropriate adjustments to reflect discounts if any; (b) Correction of arithmetic errors, and

- (c) Where applicable, using the evaluation factors specified in Section 3, Evaluation and Qualification Criteria.

31.3. An affirmative determination of qualification shall be a prerequisite for award of the Contract to the Bidder. A negative determination shall result in disqualification of the Bid, in which event the *Employer* may proceed to the next substantially responsive Bid which offers the lowest evaluated bid to make a similar determination of that Bidder's qualifications to perform satisfactorily.

32. Abnormally Low Bids

32.1. An Abnormally Low Bid is one where the Bid price, in combination with other constituent elements of the Bid, appears unreasonably low to the extent that the Bid price raises material concerns as to the capability of the Bidder to perform the Contract for the offered Bid price. Before proceeding to further analysis, the Employer shall revisit their departmental estimate to ensure its realistic compared to the prevailing market rates.

32.2. Any bid price less than twenty percent (20%) from the employer's departmental estimate shall be scrutinized by seeking written clarifications from the Bidder, including detailed price analyses of its Bid price in relation to the subject matter of the contract, scope, proposed methodology, schedule, allocation of risks and responsibilities, and any other requirements of the request for bidding document.

32.3. After evaluation of the price analyses, in the event that the Employer determines that the Bidder has failed to demonstrate its capability to perform the Contract for the offered Bid Price, the Employer shall reject the Bid.

32.4. If the Procuring Agency decides to accept the abnormally low bid after considering the detailed price analysis, the Procuring Agency shall increase the performance security from ten percent (10%) up to maximum of 30% of the initial contract price; or

Alternatively, the procuring agency may ask the successful bidder to deposit the difference between departmental estimate and contract amount in the form of cash warrant in addition to 10% performance security. However, the total performance security amount shall be limited to maximum of 30% of initial contract price.

33. Seriously unbalanced Bids or Front Loaded

33.1. If the Bid that is evaluated as the lowest evaluated cost is, in the Employer's opinion, seriously unbalanced or front loaded the Employer may require the Bidder to provide written clarifications. Clarifications may include detailed price analyses to demonstrate the consistency of the Bid prices with the scope of works, proposed methodology, schedule and any other requirements of the bidding document.

33.2. After the evaluation of the information and detailed price analyses presented by the Bidder, the Employer may as appropriate:

(a) accept the Bid and increase the performance security from ten percent (10%) up to maximum of 30% of the initial contract price; or

Alternatively, the procuring agency may ask the successful bidder to deposit the difference between departmental estimate and contract amount in the form of cash warrant in addition to 10% performance security. However, the total performance security

amount shall be limited to maximum of 30% of initial contract price
; or

(b) reject the Bid.

34. Employer's Right to Accept or Reject any or all
- 34.1. The Employer reserves the right to accept any Bid, to annul the Bid proceedings, or to reject any or all Bids, at any time prior to Contract award, without thereby incurring any liability to Bidders.

F. Contract Award

35. Award Criteria
- 35.1. The Employer shall award the Contract to the Bidders whose offer is substantially responsive to the Bidding Document and that has been determined to be the lowest evaluated Bid, provided that the Bidder is determined to be qualified to perform the Contract and upon fulfillment of works in hand ceiling prescribed by CDB.
36. Letter of Intent to Award the Contract/ Letter of Acceptance
- 36.1. The Employer shall notify the concerned Bidder whose bid has been selected in accordance with ITB 35.1 in writing (in the format in Section 4-hereafter called the "Letter of Intent to Award") that the Employer has intention to accept its bid and the copy of the letter of intent shall be given to all other bidders who submitted the bid. Such notification should be communicated in writing, including by cable, facsimile, telex or electronic mail to all the bidders on the same day of dispatch. The Employer shall ensure that the same information is uploaded on their website on the same day of dispatch.
- 36.2. If no bidder submits an application pursuant to ITB 38 within a period of ten (10) days of the notice provided under ITB 36.1, prior to the expiration of Bid validity, the Employer shall notify the successful Bidder, in writing that its Bid has been accepted. Until a formal contract is prepared and executed, the letter of acceptance shall constitute a binding Contract.
- 36.3. Within fifteen (15) working days of the receipt of the letter of acceptance from the Employer, the successful Bidder shall furnish the Performance Security, in the amount specified in the BDS.
- 36.4. Within fifteen (15) working days of receipt of the letter of acceptance, the successful Bidder shall sign the contract, date and return it to the Employer.
37. Debriefing by Employer to
- 37.1. On receipt of the Employer's Notification of Intention to Award referred in ITB 36.1, an unsuccessful Bidder has three (3) working Days to make a written request to the Employer for a debriefing. The Employer shall provide a debriefing to all unsuccessful Bidders whose request is received within this deadline.
- 37.2. Where a request for debriefing is received within the deadline, the Employer shall provide a debriefing within five (5) working days.

37.3. The Employer shall discuss only such Bid and not the bids of other competitors. The debriefing shall not include:

- (a) point-by-point comparisons with another Bid; and
- (b) information that is confidential or commercially sensitive to other Bidders.

37.4. The Purpose of debriefing is to inform the aggrieved bidder of the reasons for lack of success, pointing out the specific shortcomings in its bid without disclosing contents of other bids.

38. Complaints 38.1. The Bidder shall submit the complaint in writing within ten (10) days from the date of letter of intent to award the contract pursuant to ITB 36.1 to the Employer.

38.2. The head of agency shall, within 7 days after the submission of the complaint, issue a written decision.

38.3. The Bidder may appeal to the Independent Review Body within 5 days of the decision of the Head of the Procuring Agency or, where no such decision has been taken, within 15 days of the original complaint and the copy of the appeal shall be given to procuring agency on the same day.

38.4. Once the appeal copy is received by the procuring agency, it shall not proceed further with the procurement process until receipt of notification from the Independent Review Body Secretariat.

SECTION 2 - BIDDING DATA SHEET	
<i>Instructions for completing the Bidding Data Sheet are provided, as needed, in the notes in italics mentioned for the relevant ITB Clauses</i>	
ITB Clause	Amendment of, and Supplements to, Clauses in the Instructions to Bidders
A. General	
ITB 1.1	<p>The Employer is [<i>Hydro-Met Operation and Infrastructure Division, National Center for Hydrology and Meteorology</i>]</p> <p>The Name and Identification of the Contract is/are: Tender No: <i>NCHM/HOID/Tender/Quot-11/2019-20/236</i></p> <p>The Works are [<i>Construction of Boundary fencing and water supply work at Regional Office at Kurjey, Bumthang and Boundary Fencing of station at Tang</i>]</p>
ITB 3.1	The category of contractor is: [<i>small</i>]
B. Bidding Documents	

ITB 6.1	For <u>clarification of Tenders purposes</u> only, the Employer's address is: Attention: [Sonam Choki, Site Engineer] Address: [Hydro-Met Operation and Infrastructure Division, National Center for Hydrology and Meteorology, Thimphu] Telephone: [17848715] Facsimile number: [02330124] Electronic mail address: [pwangdi@nchm.gov.bt]
----------------	---

C. Preparation of Bids

ITB 14.3	The bid price shall not be adjustable
ITB 16.1	A simple bar chart is <i>not required</i>
ITB 18.1	The Bid shall be valid upto: 22nd January, 2020 [normally the bid validity is 60 days]
ITB 20.1	In addition to the original, [One] copies shall be submitted. [Usually one copy but procuring agencies may ask more if required].
ITB 19.5	The Bid Security Amount is Nu.16,000.00

D. Submission and Opening of Bids

ITB 21.3	The outer envelopes shall be addressed to: [To Chief Engineer Hydro-Met Operation and Infrastructure Division National Center for Hydrology and Meteorology MOEA Complex, Thimphu]
-----------------	--

	<i>specify the employer address to whom the bid should be submitted]</i>
ITB 21.3(b)	The Bid opening shall take place on the same day as the closing day of the bid submission at: [Mini-Conference room of National Center for Hydrology and Meteorology] Date: [20/11/2019]; Time: [14:30hrs]

ITB 22.1	For <u>Bid submission purposes</u> only, the Employer's address is: Attention: Chief Engineer Address: Hydro-Met Operation and Infrastructure Division, National Center for Hydrology and Meteorology, MOEA Complex, Thimphu The deadline for the submission of Tenders is: Time & Date: 12.00hrs, 20/11/2019
-----------------	--

E. Award of Contract

ITB 36.3	The amount of Performance Security shall be [10%] percent of the Contract Price.
-----------------	--

[It should be ten percent (10%) of the Contract Price of the Works].

SECTION 3 – EVALUATION AND QUALIFICATION CRITERIA

This section contains all the criteria that the Employer shall use to evaluate bids and qualify bidders. The Procuring Agency may apply basic minimum technical qualification requirement (key personnel and equipment) if there is a project specific need.

1. Evaluation

1.1. Evaluation shall be done to determine if the bidders meet the required qualifications to be considered for award of work.

2. Qualification Criteria

[Where applicable the following qualification criteria may be specified and delete if not required]

2.1. Key Personnel

[Procuring agency may specify requirements for each position as applicable]

No.	Position	Qualification	Number of years of relevant experience
1			
2			
3			
4			
5			

The Bidder shall provide details of the proposed key personnel and their relevant experience records in the relevant Forms included in Section 4, forms of Bid & Qualification information to fulfill the above requirements.

2.2. Equipment

[Procuring agency may specify requirements for each equipment as applicable]

No.	Equipment Type	Number required
1		
2		
3		
4		
5		

The Bidder shall provide further details of proposed items of equipment using the relevant Form in Section 4, forms of Bid & Qualification information to fulfill the above requirements.

2.3. Add any other criteria

SECTION 4: BIDDING FORMS

Table of Standard Forms

Standard Form: Form of Bid
Standard Form: Bid Securing Declaration Standard
Form: Qualification Information
Standard Form: Letter of Intent

Standard Form: Form of bid

Notes on Form of Bid:

*The Bidder shall fill in and submit this bid form with the Bid. If Bidders do not fill in the Contract Price and does not sign this Bid form, **the bid will be rejected.***

_____ [date]

To _____

Address _____

We offer to execute the contract for construction of “

” in accordance with the Conditions of Contract accompanying this Bid for the Contract Price of

_____ [amount in figures] (_____

_____) [amount in words] _____

_____ [Ngultrum].

The contract shall be paid in Ngultrums (Nu.)

This Bid and your written acceptance of it shall constitute a binding Contract between us. We understand that you are not bound to accept the lowest or any Bid you receive.

We hereby confirm that this Bid complies with the Bid validity and Bid Securing Declaration required by the bidding documents and specified in the Bidding Data Sheet.

Authorized Signature: _____

(Affix Legal Stamp)

Name and Title of Signatory: _____

Name of Bidder: _____

Address: _____

Form of Bid-Securing Declaration

Date: _____

IFB No.: _____

To: _____

We, the undersigned, declare that:

We understand that, according to your conditions, Bids must be supported by a Bid-Securing Declaration.

We accept that we are required to pay the bid security amount specified in the Bidding Data Sheet within 14 days of your instruction and failure to do so will automatically exclude us from being eligible for Bidding or submitting Bid in any contract with the Employer for the period of two years if we are in breach of our obligation(s) under the Bid conditions, because we:

- (a) have withdrawn our Bid during the period of Bid validity specified by the Bidder in the Form of Bid; or
- (b) having not accepted the correction of errors in accordance with the Instructions to Bidders ITB 30.2; or
- (c) Having been notified of the acceptance of our Bid by the Employer during the period of Bid validity, (i) fail or refuse to furnish the performance security in accordance with the ITT, or (ii) fail or refuse to execute the Contract in accordance with the ITB 36.

We understand this Bid-Securing Declaration shall expire if we are not the successful Bidder, upon the earlier of (i) our receipt of your notification to us of the name of the successful Bidder; or (ii) thirty(30) days after the expiration of our Bid.

Signed: _____

In the capacity of _____

Name: _____

Duly authorized to sign the Bid for and on behalf of: _____

Dated on _____ day of _____, _____

Corporate Seal (where appropriate)

Affix Legal Stamp

Standard Form: Qualification Information

Notes on Form of Qualification Information: The following information is to be filled in by bidders which will be used for purposes of evaluation

1. Individual bidders

1.1. Constitution of legal status of Bidder
Place of registration:

[attach copy]

Principal place of business:

Power of attorney of signatory of Bid

[attach]

1.2. Forms for Key Personnel

Form – 1A: Proposed Key Personnel

Bidders should provide the names of suitably qualified key personnel to meet the specified requirements for each of the positions listed in Section 3(Evaluation and Qualification Criteria). The data on their experience should be supplied using the Form below for each candidate.

1.	Title of position
	Name
2.	Title of position
	Name
3.	Title of position
	Name

Form -1B: CV of Proposed Manpower

The Bidder shall provide all the information requested below. Fields with asterisk (*) shall be used for evaluation.

Position*		
Personnel information	Name *	Date of birth
	Qualifications:	
Present employment	Name of Employer:	
	Address of Employer:	
Experience		
From	To	Company, Project , Position, and Relevant Technical and Management Experience

Summarize experience in reverse chronological order. Indicate particular technical and managerial experience relevant to the project.

Documents Required:

The Bidder shall provide following supporting documents for the above the proposed manpower:

1. Original signed CVs of technical manpower committed.
2. Copies of Citizenship ID Cards or work permit/ Passport/ Election/Voter ID cards (for foreign workers) of all manpower committed.
3. Copies of contract agreements with all personnel if they have been hired on contract by the contractor.

1.3. Forms for Equipment

The Bidder shall provide adequate information to demonstrate clearly that it has the capability to meet the requirements for the key equipment listed in Section 3 (Evaluation and Qualification Criteria).

Sl.No	Equipment Name & Type	Owned	Hired	Total No.
1.				
2.				
3.				
4.				

Documents Required:

The Bidder shall provide following supporting documents for the above proposed equipments:

1. Copy of the registration certificate of each equipment committed
2. Copy of Insurance policy for each equipment where applicable
3. In case of hiring, copy of the lease agreement in addition to 1 & 2 above
4. In case of equipments that do not require registration with RSTA copy of cash memos stamped by RRCO if newly imported or copy of sale deeds or verification letter issued by a Government Engineer.

Standard Form: Letter of Intent

(Letterhead paper of the Employer)

Notes on standard form of letter of Intent

This issuance of Letter of Intent (always before letter of acceptance) is the information of the selection of the bid of the successful bidder by the Employer and for providing information to other unsuccessful bidders who participated in the bid as regards the outcome of the procurement process

The Employer shall allow 10 days as described in ITB 36 between this letter of intent and letter of acceptance to allow aggrieved bidders to challenge your decision if they feel they have treated unfairly.

(Insert date)

To:----- [Name and address of the Contractor]

This is to notify you that, it is our intention to award the contract for your Bid dated-----

[Insert date] for execution of the-----
-----[Insert name of the contract and identification number, as given in the BDS/SCC] for the
Contract Price of-----
-----[Insert amount in figure and words and name of currency] as corrected and
modified[if any corrections] in accordance with the Instructions to Bidders.

Authorized Signature: -----

Name and Title of Signatory:-----

Name of Agency:-----

CC:

[Insert name and address of all other bidders who submitted the bid]

SECTION 5. GENERAL CONDITIONS OF CONTRACT

1. Definitions 1.1. The following words and expressions shall have the meaning hereby assigned to them. Boldface type is used to identify the defined terms:
 - (a) **Completion Certificate** means the Certificate issued by the Employer as evidence that the Contractor has executed the Works in all respects as per drawing, specifications, and Conditions of Contract.
 - (b) The **Completion Date** is the date of completion of the Works as certified by the Engineer, in accordance with GCC Clause 18.

- (c) **Contract** means the Agreement entered into between the Employer and the Contractor to execute, complete and maintain the Works.
 - (d) **Contractor** means the person or corporate body whose Tender to carry out the Works has been accepted by the Employer and is named as such in the SCC.
 - (e) **Contract Price** is the price stated in the Letter of Acceptance and thereafter as adjusted in accordance with the provisions of the Contract.
 - (f) The **Contractor's Bid** is the completed Bid Document including the priced offer submitted by the Contractor to the Employer.
 - (g) **Days** mean calendar days.
 - (h) A **Defect** is any part of the Works not completed in accordance with the Contract.
 - (i) The **Employer** is the party named in the SCC who employs the Contractor to carry out the Works.
 - (j) The **Engineer** is the person named in the SCC, who is responsible for supervising the execution of the works and administering the Contract.
 - (k) The **Intended Completion Date** is the date specified in the SCC on which the Contractor shall complete the Works and may be revised if extension of time or an acceleration order is issued by the Engineer.
 - (l) The **Site** is the area defined as such in the SCC.
 - (m) A **Variation** is an instruction given by the Project Manager which varies the Works.
 - (n) The **Works** are what the Contract requires the Contractor to construct, install, and hand over to the Employer, as defined in the SCC.
2. Interpretation 2.1. In interpreting the GCC, singular also means plural, male also & Documents means female or neuter, and the other way around. Headings forming the in the GCC shall not be deemed part thereof or be taken into Contract consideration in the interpretation or construance of the Contract. Words have their normal meaning under the language of the Contract unless specifically defined.

2.2. The following documents forming the Contract shall be interpreted in the following order of priority:

- (a) the signed Contract Agreement.
- (b) the Letter of Acceptance .
- (c) the completed Bid form as submitted by the Bidder.
- (d) the Special Conditions of Contract.
- (e) the General Conditions of Contract.
- (f) Specifications (g) the Drawings.
- (h) any other document listed in the SCC as forming part of the Contract.

3. Corrupt, 3.1. The Government requires that Employers, as well as Contractors Fraudulent, shall observe the highest standard of ethics during the Collusive or implementation of procurement proceedings and the execution of Coercive Practices Contracts under public money.

3.2. In pursuance of this requirement, the Employer shall

- (a) exclude the Contractor from participation in the procurement proceedings concerned or reject a proposal for award; and
- (b) declare a Contractor ineligible, either indefinitely or for a stated period of time, from participation in procurement proceedings under public money;

If at any time, determines that the bidder has engaged in corrupt, fraudulent, collusive or coercive practices in competing for, or in executing, a Contract under the public money.

3.3. The Government defines, for the purposes of this provision, the terms set forth below as follows:

- (a) corrupt practice⁴ is the offering, giving, receiving or soliciting, directly or indirectly, of anything of value⁵ to influence improperly the actions of another party;
- (b) “fraudulent practice”⁶ is any intentional act or omission, including a misrepresentation, that knowingly or recklessly misleads, or attempts to mislead, a party to obtain a financial or other benefit or to avoid an obligation;
- (c) “collusive practice”⁷ is an arrangement between two or more parties designed to achieve an improper purpose, including to influence improperly the actions of another party; and
- (d) “coercive practice”⁸ is impairing or harming, or threatening to impair or harm, directly or indirectly, any party or the property of the party to influence improperly the actions of a party.

3.4. The Government requires that the Client’s personnel have an equal obligation not to solicit, ask for and/or use coercive methods to obtain personal benefits in connection with the said proceedings.

⁴ “another party” refers to a public official acting in relation to the procurement process or contract execution. In this context, “public official” includes staff and employees of any organizations (including any institutions providing finance for the Works) taking or reviewing procurement decisions.

⁵ “anything of value” includes, but is not limited to, any gift, loan, fee, commission, valuable security or other asset or interest in an asset; any office, employment or contract; any payment, discharge or liquidation of any loan, obligation or other liability whatsoever, whether in whole or in part; any other services, favour or advantage, including protection from any penalty or disability incurred or apprehended or from any action or proceeding of a disciplinary or penal nature, whether or not already instituted and including the exercise or the forbearance from the exercise of any right or any official power or duty.

⁶ a “party” refers to a public official; the terms “benefit” and “obligation” relate to the procurement process or contract execution; and the “act or omission” is intended to influence the procurement process or contract execution.

⁷ “parties” refers to participants in the procurement process (including public officials) and an “improper purpose” includes attempting to establish bid prices at artificial, non competitive levels.

⁸ a “party” refers to a participant in the procurement process or contract execution.

4. Governing Language and Law 4.1. The Contract as well as all correspondence and documents exchanged by the Contractor and the Employer, shall be written in English unless otherwise stated in the SCC. The Contract shall be governed by and interpreted in accordance with the laws of the Kingdom of Bhutan.
5. Engineer's Decision 5.1. Except where otherwise specifically stated in the SCC, the Engineer will decide Contractual matters between the Employer and the Contractor in the role as representative of the Employer.
6. Delegation 6.1. The Engineer may delegate any of his duties and responsibilities to his representative, after notifying the Contractor, and may cancel any delegation, without retroactivity, after notifying the Contractor.
7. Communications and Notices 7.1. Communications between Parties pursuant to the Contract shall and be in writing to the address specified in the SCC. A notice shall be effective when delivered or on the notice's effective date, whichever is later.
8. Sub- Contracting 8.1. The Contractor shall not be permitted to subcontract any part of the Works in whole or in part.
9. Contractor's Equipment 9.1. The Contractor shall employ the key personnel named in the Personnel & Schedule of Key Personnel, as referred to in the SCC, to carry out the functions stated in the Schedule, or other personnel approved by the Engineer. Similarly, the contractor shall deploy all committed equipments at site as and when required by the employer.
10. Welfare of Labour 10.1. The Contractor shall provide proper accommodation to his Labourers & Child labourers and arrange proper water supply, conservancy and sanitation arrangements at the site in accordance with relevant regulations, rules and orders of the government.
 - 10.2. The Contractor shall comply with the applicable minimum age, labour laws and requirements of (including applicable treaties which have been ratified by) the Government of Bhutan regarding hazardous forms of child labour.

11. Safety, Security and Protection of the Environment
- 11.1. The Contractor shall throughout the execution and completion of the Works and the remedying of any defects therein :
- (a) have full regard for the safety of all persons entitled to be upon the Site and keep the Site and the Works in an orderly state;
 - (b) provide and maintain at the Contractors own cost all lights, guards, fencing, warning signs and watching for the protection of the Works or for the safety on-site; and
 - (c) take all reasonable steps to protect the environment on and off the Site and to avoid damage or nuisance to persons or to property of the public or others resulting from pollution, noise or other causes arising as a consequence of the Contractors methods of operation.
12. Access to the Site
- 12.1. The Contractor shall allow the Engineer and any person authorised by the Engineer access to the Site and to any place where work in connection with the Contract is being carried out or is intended to be carried out.
13. Documents & Information.
- 13.1. The Contractor shall furnish to the Engineer all information, schedules, calculations and supporting documents that may be requested.
14. Property
- 14.1. If the contract is terminated by the Employer because of the contractors default, then, the contractor shall not be allowed to remove any materials on the Site, Plant, and Temporary Works until the matter is amicably resolved.
15. Insurance
- 15.1. The Contractor shall provide, in the joint names of the Employer and the Contractor, insurance cover from the Start Date to the end of the Defects Liability Period, in the amounts and deductibles stated in the SCC for the following events which are due to the Contractor's risks:
- (a) loss of or damage to the Works, Plant and Materials to be built into the works.
- 15.2. The Contractor shall deliver policies and certificates of insurance to the Engineer, for the Engineer's approval, before the Start Date. All such insurance shall provide for compensation to be payable in the types and proportions of currencies required to rectify the loss or damage incurred. Payments received from insurers shall be used for the rectification of loss or damage.
- 15.3. If the Contractor does not provide any of the policies and certificates required, the Employer may effect the insurance which the Contractor should have provided and recover the premiums the Employer has paid from payments otherwise due to the Contractor or, if no payment is due, the payment of the premiums shall be a debt due.

16. Possession of the Site 16.1. The Employer shall give possession of the Site, or parts of the Site, to the Contractor on the date(s) specified in the SCC.
17. Commencement of Works 17.1. The Contractor may commence execution of the Works on the Start Date, or other such date as specified in the SCC, and shall carry out the Works in an expeditious manner.
- 17.2. If the Contractor fails to commence the works within the above stated period, the Employer may, at his sole discretion, terminate the Contract and may use the proceeds of the Performance Security to compensate for any losses thereof, if any.
18. Completion of Works 18.1. The Contractor shall complete the Works within the number of days stated in the SCC from the date of commencing the Works on the Site.
19. Programme of Works 19.1. Within the time stated in the SCC, the Contractor shall submit to the Engineer for approval a work program. The Contractor shall submit to the Engineer for approval an updated Programme at intervals no longer than the period stated in the SCC.
20. Early Warning 20.1. The Contractor shall warn the Engineer at the earliest opportunity of specific likely future events or circumstances that may adversely affect the quality of the work result in increase to the Contract Price or delay in the execution of the Works.
21. Compensation Events 21.1. The following shall be Compensation Events:
- (a) the Employer does not give access to the Site or part of the Site by the Site Possession Date stated in the SCC clause 16; and
 - (b) if the payment is delayed pursuant to Clause 25.1.
- 21.2. If a Compensation Event would prevent the work being completed before the Intended Completion Date, the Intended Completion Date shall be extended, as appropriate, by the Engineer.
22. Non-Scheduled Items of Works only when the Engineer approves such works and at the rates and in the manner stated in the SCC. 22.1. The Contractor shall be paid for non-scheduled items of works
23. Schedule of Works 23.1. The Schedule of Works will contain rates for all items for the construction including temporary works, installation, testing, and commissioning work to be done by the Contractor.
- 23.2. The Contractor shall be paid for the quantity of the work done at the rate in the Contract Agreement for each item.
- 23.3. The Contractor shall be entirely responsible for all taxes, duties, license fees, and other such levies imposed outside and inside Bhutan.

24. Payment
Certificates

24.1. The Contractor shall submit to the Engineer monthly statements of the estimated value of the work executed less the cumulative amount certified previously. The Engineer shall check the Contractor's monthly statement and certify the amount to be paid to the Contractor latest by 30 working days from the date of receipt of contractor's monthly statement in correct and complete form.

24.2. The value of work executed shall be determined by the Engineer.

24.3. The value of work executed shall comprise the value of the quantities of the items in the Schedule of Works completed.

24.4. The value of work executed shall include the valuation of Variations, Certified Dayworks and Compensation Events.

24.5. The Engineer may exclude any item certified in previous certificates or reduce the proportion of any item previously certified in any certificate in the light of later information.

25. Payments

25.1. The Employer shall pay the Contractor the amounts certified by the Engineer within thirty (30) days of the date of each certificate.

25.2. The Employer shall make Advance Payment (mobilization and secured advance) to the Contractor of the amounts and by the dates stated in the SCC. The mobilization advance shall be backed up by equivalent amount of unconditional Bank Guarantee (Form 4).

25.3. The Contractor is to use the advance payment only to pay for Equipment, Plant, Materials, and mobilisation expenses required specifically for the execution of the Contract. The Contractor shall demonstrate that the advance payment has been used in this way by submitting copies of invoices or other documents to the Employer.

25.4. The advance payment shall be recovered by deducting proportionate amounts from payments due to the Contractor, following the schedule of completed percentages of the Works on a payment basis. No account shall be taken of the advance payment or its repayment in assessing valuations of work done, variations, claims or any amount payable due to failure to complete the works.

26. Changes in

Quantities¹⁰ Bill of

26.1. If the final quantity of the work done differs from the quantity in the Quantities for the particular item by more than twenty percent (20%), provided the cost of variation beyond twenty percent (20%) limit exceeds one percent (1%) of the Initial Contract Value the Employer shall adjust the quoted rate up or down to allow for the

change. Only when both conditions are met then the quoted rate shall be changed.

- (a) If the quantity of work executed exceeds the quantity of the item in BOQ beyond the higher specified limit the Employer shall fix the market rate (which may be lower or higher than the quoted rate) to be applied for the additional quantity of the work executed.
- (b) If the quantity of work executed is less than the quantity of the item in BOQ lesser than the lower specified limit, the Employer shall fix the market rate based on the submission of the contractor (which may be lower/higher than the quoted rate) to be applied for whole of the quantity of the work so executed for that particular item.

26.2. The rates shall not be adjusted from changes in quantities if thereby the Initial Contract Price is exceeded by more than five percent (5%), except with the prior approval of the Employer in consultation with the Tender Committee.

26.3. For works up to Nu. 50M, when quantity deviation exceeds twenty percent (20%) from the quantity in BOQ and the total cost of such deviations exceeds twenty percent (20%) of the initial contract price, the procuring agency shall seek prior approval of the Competent Authority (Finance Committee constituted in their respective agency)

26.4. If requested by the Project Manager, the Contractor shall provide the Project Manager with a detailed cost breakdown of any rate in the Bill of Quantities.

10 In lump sum contracts, delete "Bill of Quantities" and replace with "Activity Schedule," and replace entire Clause 26 with new Sub-Clause 26.1, as follows:

26.1 The Activity Schedule shall be amended by the Contractor to accommodate changes of Program or method of working made at the Contractor's own discretion. Prices in the Activity Schedule shall not be altered when the Contractor makes such changes to the Activity Schedule.

27. Variations 27.1. The Project Manager shall order any variation of the form, quality or quantity of the Works or any part thereof that may, in his opinion, be necessary. Each variation may include, but is not limited to, any of the following:

- (a) increase or decrease in the quantity of any work included in the Contract,
- (b) omission of any item of work,
- (c) change in the character or quality or kind of any such work,
- (d) change in the levels, lines, position and dimensions of any part of the works,
- (e) additional work of any kind(not exceeding twenty percent (20%) of the original contract amount, or the maximum threshold value for the use of Limited Tender whichever is lower), or

- (f) change in any specified sequence or timing of construction activities.

27.2. All Variations shall be included in updated Programs produced by the Contractor.

27.3. The Contractor shall provide the Project Manager with a quotation for carrying out the Variation when requested to do so by the Project Manager. The Project Manager shall assess the quotation, which shall be given within seven (7) days of the request or within any longer period stated by the Project Manager and before the Variation is ordered.

27.4. If the Contractor's quotation is unreasonable, the Project Manager may order the Variation and make a change to the Contract Price, which shall be based on the Project Manager's own forecast of the effects of the Variation on the Contractor's costs.

27.5. If the Project Manager decides that the urgency of varying the work would prevent a quotation being given and considered without delaying the work, no quotation shall be given and the Variation shall be treated as a Compensation Event.

27.6. The Contractor shall not be entitled to additional payment for costs that could have been avoided by giving early warning.

27.7. If the work in the Variation corresponds to an item description in the Bill of Quantities and if, in the opinion of the Project Manager, the quantity of work above the limit stated in Sub-Clause 26.1 or the timing of its execution do not cause the cost per unit of quantity to change, the rate in the Bill of Quantities shall be used to calculate the value of the Variation. If the cost per unit of quantity changes, or if the nature or timing of the work in the Variation does not correspond with items in the Bill of Quantities, the quotation by the Contractor shall be in the form of new rates for the relevant items of work.

27.8. For works up to Nu. 50 Million, if the value of additional work exceeds twenty percent (20%) of the initial contract price, the procuring agency shall seek prior approval of the Competent Authority (Finance Committee Constituted in respective agencies).

28. Retention

28.1. The Employer shall retain from each payment due to the Contractor the proportion stated in the SCC until the completion of the whole of the Works.

28.2. On completion of the whole of the Works, half the total amount retained shall be repaid to the Contractor, the remaining half when the Defects Liability Period has passed and the Engineer has certified that all Defects notified by the Engineer to the Contractor before the end of this period have been corrected.

29. Liquidated Damages

29.1. The Contractor shall pay liquidated damages to the Employer at the rate per day stated in the SCC for each day that the Completion Date is later than the Intended Completion date for the works or for any part thereof.

30. Performance Security

30.1. Upon receipt of letter of acceptance, a Performance Security shall be provided to the Employer in the amount and form stated in the Contract Forms (Form 3). The Performance Security shall be valid until a date thirty (30) days from the date of issue of the Certificate of Completion.

30.2. The proceeds of the performance security shall be payable to the Employer unconditionally upon first written demand as compensation for any loss resulting from the Contractor's failure to complete its obligations under the Contract.

31. Price Adjustment

31.1. Prices may be adjusted for fluctuations in the cost of materials only if contract duration exceeds 12 months and if so **provided for in the SCC**.

31.2. The adjustment shall be based on the cost of materials as reflected by the Material Index Numbers published by the National Statistical Bureau⁹ (NSB), calculated for every successive period of 3 months after the 12th month of the Contract using the following formulae.

$$V = W \times 0.80 \times 0.75 \times (M - M_0) / M_0$$

Where:

V = amount of variation for materials payable to/recoverable from the contractor for the period under review;

W = value of the work done during the period under review minus (amount of secured advance recovered in the same period + value of works executed under variations for which the variations are paid in the new rate);

M₀ = Material Index for the month in which the tender was submitted;

⁹Until NSB comes up with the Material Index for the Royal Government of Bhutan, the Wholesale

Price- Index (all commodities) for Materials shall be used for the purpose of this clause. Visit www.eaindustry.nic.in for the Wholesale Price Index.

M = the average value of the above Index Number for the 3 months period under review;

31.3. Price Adjustment shall apply only for work carried out within the stipulated time or extensions granted by the Procuring Agency and shall not apply to work carried out beyond the stipulated time for reasons attributable to the Contractor.

32. Completion 32.1. The Contractor shall request the Engineer to issue a Certificate of Completion of the Works, and the Engineer will do so upon deciding that the work is substantially completed.

33. Correction of Defects 33.1. The Engineer shall give notice to the Contractor of any Defects before the end of the Defects Liability Period, which begins at Completion, and is defined in the SCC. The Defects Liability Period shall be extended for as long as the Defects remain to be corrected.

33.2. If the Contractor has not corrected a Defect within the time specified in the Engineer's notice, the Engineer will assess the cost of having the Defect corrected, and the Contractor will pay this amount.

34. Taking Over 34.1. The Employer shall take over the Site and the Works within seven (7) days of the Engineer issuing a Certificate of Completion.

35. Final Account 35.1. The Contractor shall supply the Engineer a detailed account of the total amount that the Contractor considers payable under the Contract. The Engineer shall certify any final payment that is due to the Contractor within twenty-one (21) days of receiving the Contractor's account if it is correct and complete.

35.2. The Employer shall effect payment of the final account within thirty (30) days from the date of certification by the Engineer.

36. Termination 36.1. The Employer or the Contractor by giving thirty (30) days written notice of default to the other party, may terminate the Contract in whole or in part if the other party causes a fundamental breach of Contract.

36.2. Fundamental breaches of the Contract shall include, but shall not be limited to, the following:

- (a) the Contractor stops work for more than thirty (30) days when no stoppage of work is shown on the current Programme and the stoppage has not been authorised by the Engineer;
- (b) the Engineer gives notice that failure to correct a particular defect is a fundamental breach of Contract and the Contractor fails to correct it within a reasonable period of time determined by the Engineer;
- (c) the Contractor has delayed the completion of the Works by the number of days for which the maximum amount of Liquidated Damages can be paid;
- (d) the Contractor, in the judgment of the Employer, has engaged in corrupt or fraudulent practices, as defined in GCC Clause 3, in competing for or in executing the Contract; and
- (e) a payment certified by the Engineer is not paid to the Contractor by the Employer within sixty (60) days of the date of the Engineer's certificate.

36.3. The Employer and the Contractor may at any time terminate the Contract by giving notice to the other party if either of the parties becomes bankrupt or otherwise insolvent. In such event, termination will be without compensation to any party provided that such termination will not prejudice or affect any right of action or remedy that has accrued or will accrue to the other party.

36.4. Notwithstanding the above, the Employer may terminate the Contract for convenience.

36.5. If the Contract is terminated, the Contractor is to stop work immediately, make the Site safe and secure and hand over the Site to the Employer as soon as reasonably possible.

37. Payment upon

37.1. If the Contract is terminated because of a fundamental breach of Termination Contract by the Contractor, the Engineer shall issue a certificate for the value of the work done and Plant and Materials ordered less advance payments received up to the date of the issue of the certificate and less the percentage to apply to the value of the work not completed, as indicated in the SCC. If the total amount due to the Employer exceeds any payment due to the Contractor, the difference shall be a debt payable to the Employer.

37.2. If the Contract is terminated for the Employer's convenience or because of a fundamental breach of Contract by the Employer, the Contractor shall be entitled to payments for completed works and the materials that have been brought to the site for the purpose of the works, but not used as certified by the Engineer after adjusting any payments received by the Contractor.

38. Release from

38.1. If the Contract is frustrated by the outbreak of war or by any other Performance event entirely outside the control of either the Employer or the Contractor, the Engineer shall certify that the Contract has been frustrated. The

Contractor shall make the Site safe and stop work as quickly as possible, after receiving this certificate. The Contractor shall be paid for all works carried out before stoppage of work and any work carried out afterwards to which a commitment was made.

39. Force Majeure 39.1. For the purposes of this Contract, "Force Majeure" means an exceptional event or circumstance:

- (a) which is beyond a Party's control,
- (b) which such Party could not reasonably have provided against before entering into the Contract,
- (c) which, having arisen, such Party could not reasonably have avoided or overcome, and (d) which is not substantially attributable to the other Party.

39.2. Force Majeure may include, but is not limited to, exceptional events or circumstances of the kind listed below, so long as conditions (a) to (d) above are satisfied:

- (a) war, hostilities (whether war be declared or not), invasion, act of foreign enemies,
- (b) rebellion, terrorism, sabotage by persons other than the Contractor's Personnel, revolution, insurrection, military or usurped power, or civil war,
- (c) riot, commotion, disorder, strike or lockout by persons other than the Contractor's Personnel,
- (d) munitions of war, explosive materials, ionizing radiation or contamination by radio-activity, except as may be attributable to the Contractor's use of such munitions, explosives, radiation or radio-activity, and
- (e) natural catastrophes such as earthquake, hurricane, typhoon or volcanic activity.

39.3. However, force majeure shall not include the following;

- (a) rainfall
- (b) snowfall
- (c) strikes in other countries
- (d) non-availability of labourer and materials such as timbers, boulders, sand, and other materials
- (e) difficulty and risky terrain and remoteness of site.

40. Settlement of Disputes 40.1. The Employer and the Contractor shall use their best efforts to settle amicably all disputes arising out of or in connection with this Contract or its interpretation.

40.2. Any dispute between the parties to the Contract that may not be settled amicably will be referred to Arbitration at the initiative of either of the parties.

40.3. The Arbitration shall be conducted in accordance with the Arbitration Rules of the Kingdom of Bhutan in force.

SECTION 6. SPECIAL CONDITIONS OF CONTRACT	
<i>Instructions for completing the Special Conditions of Contract are provided, as needed, in the notes in italics mentioned for the relevant GCC Clauses.3</i>	
Clause Ref	Amendments of, and Supplements to, Clauses in the General Conditions of Contract
GCC 1.1(d)	The Contractor is [.....].
GCC 1.1(i)	The Employer is <i>[Hydro-Met Operation and Infrastructure Division, National Center for Hydrology and Meteorology].</i>
GCC 1.1(j)	The Engineer is <i>[pema wangdi; Engineer, HOID, NCHM].</i>
GCC 1.1(k)	The Intended Completion Date for the whole of the Works shall be <i>[01/03/2020].</i>
GCC 1.1(l)	The Site is located at [1. <i>Kurje Hydromet Regional office, Kurje, Bumthang.</i> 2. <i>Tang meteorological station, Tang</i>
GCC 1.1(m)	The Works are <i>[Construction of Boundary fencing and water supply at Kurji, Bumthang and Boundary Fencing at Tang]</i>
GCC 2.2(h)	The additional documents forming part of this Contract are: <i>[No additional documents".]</i> <i>[if there are no additional documents state "No additional documents".]</i>
GCC 4.1	The Language governing the Contract shall be <i>[English]</i> <i>[usually English language].</i>
GCC 5.1	The Engineer shall obtain specific approval of the Employer before taking any of the following actions: NIL
GCC 7.1	The addresses for Communications shall be: For the Employer: <i>Hydro-Met Operation and Infrastructure Division, National Center for Hydrology and Meteorology, MOEA Complex, Thimphu Bhutan, Phone Number:02-330124</i> For the Contractor: <i>[insert name, address and contact details].</i>
GCC 9.1	The Key Personnel of the Contractor are: <i>[NA]</i> The equipments are: <i>[specify the equipments to be deployed at site]</i>
GCC 15.1	For insurance purposes the type of cover required shall be: <i>The contractor shall be responsible for the insurance</i> [modify as appropriate]
GCC 16.1	Possession of the site shall be within <i>[10] days</i> from the date of signing of the Contract.
GCC 17.1	Commencement of work shall be within <i>[5] days</i> from the date of handing over possession of the Site.
GCC 18.1	Completion of works shall be within <i>[3] months</i> from the date of commencing the works on the site.

GCC 19.1	The Contractor shall submit the first workplan [...] days after signing the Contract, and shall update the workplan every [...] weeks during the period of the Contract.
-----------------	---

GCC 22.1	<i>"The rates for non-scheduled items of works shall be determined by the Engineer".</i>
-----------------	--

GCC 25.2	<p>An advance payment of [10%] of the Contract Price will be made to the Contractor within (14) days of Contract signing date.</p> <p>The secured advance of Nu. <i>[insert the amount of secured advance]</i> of the cost of the materials brought at site shall be paid at <i>[specify the date]</i></p> <p><i>[The mobilization advance payment is usually 10% of the contract price. The secured advance is usually 75% of the value of materials brought at site]</i></p>
GCC 28.1	The Retention shall be [10%] of the Contract Price.
GCC 29.1	<p>The liquidated damages for the whole of the Works are [.075%] per day.</p> <p>The maximum amount of liquidated damages for the whole of the Works is [10%] percent of the initial Contract Price.</p> <p><i>[Usually, liquidated damages are set between 0.05 percent to 0.10 percent per day and the total amount is not to exceed 10 percent of the Contract Price.]</i></p>
GCC 31.1	<p>The Contract ["is not"] subject to price adjustment in accordance with GCC Clause 31. <i>[Price Adjustment is applicable only for Contracts of duration more than 12 months]</i></p> <p>Until NSB comes up with the Material Index for the Royal Government of Bhutan, the Wholesale</p> <p><i>Price- Index (all commodities) for Materials shall be used for the purpose of this clause. Visit www.eaindustry.nic.in for the Wholesale Price Index</i></p>
GCC 33.1	<p>The Defects Liability Period shall be [12 months] from the date of taking over the work by employer</p> <p>In case of works up to Nu. Two (2) million, the defects liability period shall be a minimum of six (6) months.</p>
GCC 37.1	The percentage to apply to the value of the work not completed, representing the Employer's additional cost for completing the Works, is [20% of the value of work not completed up to a maximum of 10% of the initial contract price]

SECTION 7 – CONTRACT FORMS

This section contains forms which, once completed, will form part of the Contract. The forms for Performance Security and Advance Payment Security, when required, shall only be completed by the successful Bidder after Contract award.

Contract Forms

- Form - 1 Letter of Acceptance
- Form - 2 Contract Agreement
- Form - 3 Bank Guarantee for Performance Security
- Form - 4 Bank Guarantee for Advance Payment

Letter of Acceptance

Contract No:

Date:

To:

[name and address of Contractor]

This is to notify you that your Bid dated *[insert date]* for the execution of the Works for *[name of project / Contract]* for the Contract Price of Nu *[amount in figures and in words]*, as corrected and modified in accordance with the Instructions to bidder is hereby accepted by *[name of the Employer]*.

You are requested to proceed with the execution of the Works on the basis that this letter of acceptance shall constitute the formation of a Contract, which shall become binding upon furnishing a Performance Security and signing the Contract Agreement within fifteen (15) working days, in accordance with ITB Clause 36.

We attach the Contract Agreement and Special Conditions of Contract for your perusal and signature.

Signed

Duly authorised to sign for and on behalf of *[name of Procuring Entity]*

Date:

Contract Agreement

THIS AGREEMENT, made the *[day]* of *[month]* *[year]* between *[name and address of Employer]* (hereinafter called "the Employer") of the one part and *[name and address of Contractor]* (hereinafter called "the Contractor") of the other part.

WHEREAS, the Employer invited Tenders for certain Works, viz, *[brief description of the Works]* and has accepted a Tender by the Contractor for the execution of those works in the sum of Ngultrum *[insert amount in figures and words]*, hereinafter called "the Contract Price.

NOW THIS AGREEMENT WITNESSETH as follows:

1. In this Agreement, words and expressions shall have the same meanings as are respectively assigned to them in the General Conditions of Contract hereinafter referred to.
2. The documents forming the Contract shall be interpreted in the following order of priority:
 - (a) The signed Contract Agreement;
 - (b) The letter of Acceptance;
 - (c) The completed Bid form as submitted by the Bidder;

- (d) The Special Conditions of Contract;
 - (e) The General Conditions of Contract;
 - (f) Specifications
 - (g) The Drawings; and
 - (h) Any other document listed in the SCC as forming part of the Contract..
3. In consideration of the payments to be made by the Employer to the Contractor as hereinafter mentioned, the Contractor hereby covenants with the Employer to execute and complete the Works and to remedy any defects therein in conformity in all respects with the provisions of the Contract.
 4. The Employer hereby covenants to pay the Contractor in consideration of the execution and completion of the Works and the remedying of defects therein, the Contract Price or such other sum as may become payable under the provisions of the Contract at the times and in the manner prescribed by the Contract.

IN WITNESS whereof the Parties thereto have caused this Agreement to be executed in accordance with the laws of Bhutan on the day month and year first before written.

For the Employer

For the Contractor

Signature

Print Name

Title

In the presence of (Name)

Address

Form-3

Bank Guarantee for Performance Security

[this is the format for the Performance Security to be issued by any financial institution in Bhutan in accordance with ITB Clause 36]

Contract No:

Date:

To:

[Name and address of Employer]

PERFORMANCE GUARANTEE No:

We have been informed that *[name of Contractor]* (hereinafter called “the Contractor”) has undertaken, pursuant to Contract No *[reference number of Contract]* dated *[date of Contract]* (hereinafter called “the Contract”), the execution of works *[description of works]* under the Contract.

Furthermore, we understand that, according to your conditions, Contracts must be supported by a performance guarantee.

At the request of the Contractor, we *[name of bank]* hereby irrevocably undertake to pay you, without cavil or argument, any sum or sums not exceeding in total an amount of Nu *[insert amount in figures and in words]* upon receipt by us of your first written demand accompanied by a written statement that the Contractor is in breach of its obligation(s) under the Contract conditions, without you needing to prove or show grounds or reasons for your demand of the sum specified therein.

This guarantee is valid until *[date of validity of guarantee]*, consequently, we must receive at the above-mentioned office any demand for payment under this guarantee on or before that date.

Signature

Signature

Form-4

Bank Guarantee for Mobilisation Advance

[this is the format for the Advance Payment Guarantee to be issued by a financial institution in Bhutan in their letter pad in accordance with SCC Clause 25.2]

Contract No:

Date:

To:

[Name and address of Employer]

ADVANCE PAYMENT GUARANTEE No:

We have been informed that *[name of Contractor]* (hereinafter called "the Contractor") has undertaken, pursuant to Contract No *[reference number of Contract]* dated *[date of Contract]* (hereinafter called "the Contract"), the execution of works *[description of works]* under the Contract.

Furthermore, we understand that, according to your conditions, Advance Payments must be supported by a bank guarantee.

At the request of the Contractor, we *[name of bank]* hereby irrevocably undertake to pay you, without cavil or argument, any sum or sums not exceeding in total an amount of Nu. *[insert amount in figures and in words]* upon receipt by us of your first written demand accompanied by a written statement that the Contractor is in breach of its obligation(s) under the Contract conditions, without you needing to prove or show grounds or reasons for your demand of the sum specified therein.

We further agree that no change, addition or other modification of the terms of the Contract to be performed, or of any of the Contract documents which may be made between the Employer and the Contractor, shall in any way release us from any liability under this guarantee, and we hereby waive notice of any such change, addition or modification.

This guarantee is valid until *[date of validity of guarantee]*, consequently, we must receive at the above-mentioned office any demand for payment under this guarantee on or before that date.

Signature

Signature

SECTION 8. BILL OF QUANTITIES (BoQ)

Boundary fencing at Kurji, Bumthang

SL	Particulars works	Units	Quantity	Rate Nu.	Amount Nu.
1	Earth work in excavation over areas, depth >300mm, width >1.5m, area >10 Sq.m on plan, including disposal of excavated earth within 50m lead and 1.5m lift & disposed soil to be neatly dressed- Ordinary soil	cu.m	37.764		
2	Providing and laying Hand packed stone filling or soling with stones Providing and laying Hand packed stone filling or soling with stones	cu.m	9.441		
3	Providing and laying in position plain cement concrete excluding the cost of centering and shuttering - All work upto plinth level.- 1:4:8 (1 cement : 4 sand : 8 graded crushed stone 40 mm nominal size)	cu.m	6.294		
4	Providing & laying Random Rubble Masonry with hard stone in foundation & plinth-in cement mortar 1:4	cu.m	16.52175		
5	Extra for random rubble masonry with hard stone in superstructure above plinth, below & including floor 2 level	cu.m	9.441		
6	Steel work in single section including cutting, hoisting, fixing and applying priming coat of red lead paint - In angles	kg	441.75		
7	Providing and laying in position plain cement concrete excluding the cost of centering and shuttering - All work upto plinth level.- 1:3:6 (1 cement : 3 sand : 6 graded crushed rock 40 mm nominal size)	cu.m	6.834375		
8	Providing & fixing G.I barbed Wire Netting including fixing of post or struts, G.I staples, coal tarring in case of ballies complete (posts/struts, earthwork, concrete paid separately)	m	1327.05		
	Gate			-	

9	Earth work in excavation over areas, depth >300mm, width >1.5m, area >10 Sq.m on plan, including disposal of excavated earth within 50m lead and 1.5m lift & disposed soil to be neatly dressed- Ordinary soil	cu.m	0.686		
10	Providing and laying Hand packed stone filling or soling with stones Providing and laying Hand packed stone filling or soling with stones	cu.m	0.147		
11	Providing and laying in position plain cement concrete excluding the cost of centering and shuttering - All work upto plinth level.- 1:4:8 (1 cement : 4 sand : 8 graded crushed stone 40 mm nominal size)	cu.m	0.098		
12	Providing and laying in position plain cement concrete excluding the cost of centering and shuttering - All work upto plinth level.- 1:2:4 (1 cement : 2 sand : 4 graded crushed rock 40 mm nominal size)	cu.m	0.62775		
13	Providing and laying in position plain cement concrete excluding the cost of centering and shuttering - All work upto plinth level.- 1:2:4 (1 cement : 2 sand : 4 graded crushed rock 40 mm nominal size) (trapizoidal)	cu.m	0.081		
14	Providing and fixing Steel gates (including MS angle frame for shutter, door frames, MS bars, Lock rails, hingse, anchorge to the posts,)according to the drawings.	each	1		
			Total		

Water supply at Kurji, Bumthang

SL.No	DESCRIPTION	UNITS	QUANTITY	RATE	AMOUNT

1	Earth work in excavation over areas, depth >300mm, width >1.5m, area >10 Sq.m on plan, including disposal of excavated earth within 50m lead and 1.5m lift & disposed soil to be neatly dressed	cu.m	0.9045		
2	Providing and laying Hand packed stone filling or soling with stones	cu.m	0.5427		
3	Providing and laying in position plain cement concrete excluding the cost of centering and shuttering - All work upto plinth level. 1:4:8 (1 cement: 4 sand : 8 graded crushed stone 40 mm nominal size)	cu.m	0.3618		
5	Providing & laying in position reinforced cement concrete excluding the cost of centering, shuttering and reinforcement - all work upto plinth level- 1:1:2 (1 cement : 1 sand : 2 graded crushed rock 20 mm nominal size)	cu.m	6504.2		
	Providing & fixing Thermo-Mechanically Treated reinforcement bar (Yield Strength 500 MPa) for R.C.C work including cutting, bending, binding and placing in position complete	kg	20.63		
6	Providing & laying Second-Class Brick work in Foundation & Plinth.In cement mortar 1:3	cu.m	5.3664		
7	Providing & laying Second-Class Brick work in Foundation & Plinth.In cement mortar 1:3	cu.m	0.52		
8	Providing & laying 15mm cement plaster on rough side of single or half-brick wall.C.M 1:3 (INSIDE THE TANK)	sq.m	20.64		
9	Providing & laying 20mm cement plaster.C.M 1:3(OUTSIDE THE TANK)	sq.m	20.64		
10	Providing & laying G.I. pipes including G.I. fittings (excluding trenching, refilling & thrust block) 15mm	m	2000		

11	Providing & laying in position reinforced cement concrete excluding the cost of centering, shuttering and reinforcement - all work upto plinth level- 1:1:2 (1 cement : 1 sand : 2 graded crushed rock 20 mm nominal size)	cu.m	0.3744		
12	Providing & fixing Thermo-Mechanically Treated reinforcement bar (Yield Strength 500 MPa) for R.C.C work including cutting, bending, binding and placing in position complete	Cu.m	43.9296		
13	Providing & laying 15mm cement plaster on rough side of single or half-brick wall.C.M 1:3	sq.m	2.08		
			TOTAL		

GI Barbed wire boundary fencing at Tang

Sl#	Particulars Works	Qty	Unit	Rate Nu.	Amounts Nu.
1	Clearing jungle including uprooting of vegetation & trees of girth<300mm & disposal within 50m of the site	410	Sqm		
2	Earth work in excavation over areas, depth >300mm, width >1.5m, area >10 Sq.m on plan, including disposal of excavated earth within 50m lead and 1.5m lift & disposed soil to be neatly dresse. (Ordinary soil)				
	MS angle post Fencing & Gate post	1.58	Cum		
3	Providing and laying Hammer dressed dry stone soling				
	MS angle post Fencing & Gate post	0.63	Cum		

4	Providing and laying in position plain cement concrete excluding the cost of centering and shuttering - All work upto plinth level 1:3:6 (1 cement : 3 sand : 6 graded crushed rock 20 mm				
	MS angle post Fencing & Gate post	0.95	Cum		
5	Steel work in single section including cutting, hoisting, fixing and applying priming coat of red lead paint(50x50x5mm)				
	MS angle post Fencing & Gate post	332.00	Kg		
6	Providing and applying finishing coats Aluminium paint, two coats on new work MS Angle post & GI Chain Link Wire Mesh.				
	MS angle post Fencing	18.38	Sqm		
7a	Providing & fixing G.I barbed Wire Netting including fixing of post or struts, G.I staples, coal tarring in case of ballies complete (posts/struts, earthwork, concrete paid separately)				
	Straight GI Barbed wire fencing	946.00	m		
7b	Diagonal GI Barbed wire fencing	213.52	m		
8	Gate Completed as per drawing	1.00	L/sum		
			Total:		

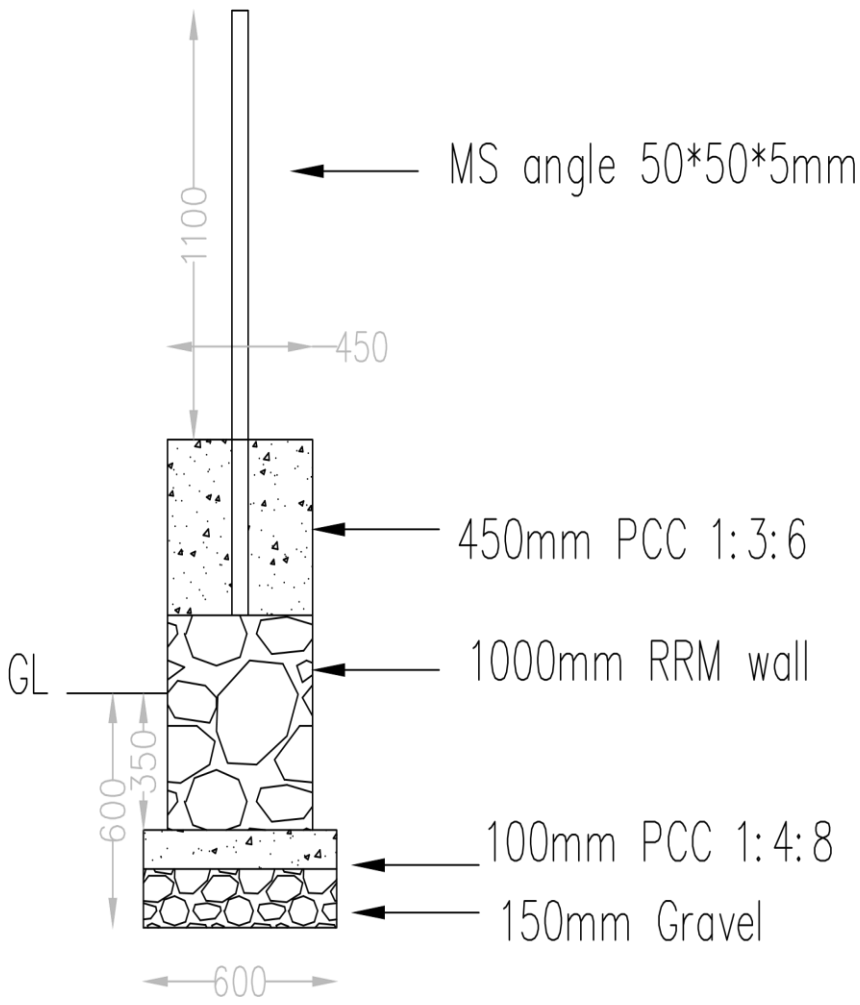
Abstract

SL	Name of work	Amount total	Remarks
1	Boundary fencing at Kurji, Bumthang		
2	Water supply at Kurji, Bumthang		
3	GI Barbed wire boundary fencing at Tang		
	Total amount:		

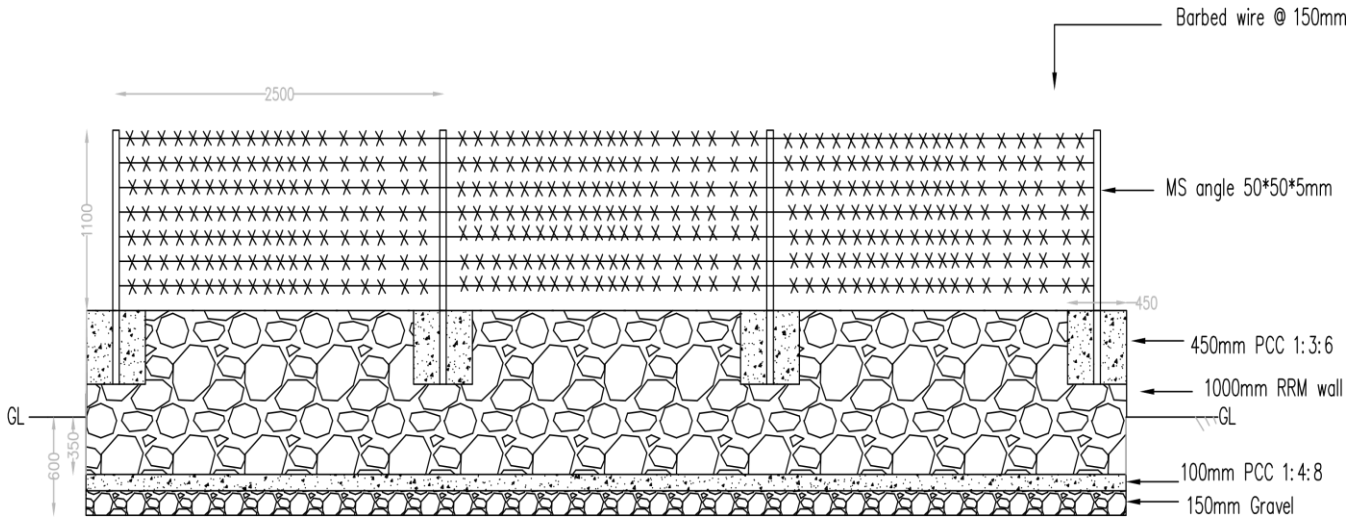
Total amount in

words.....

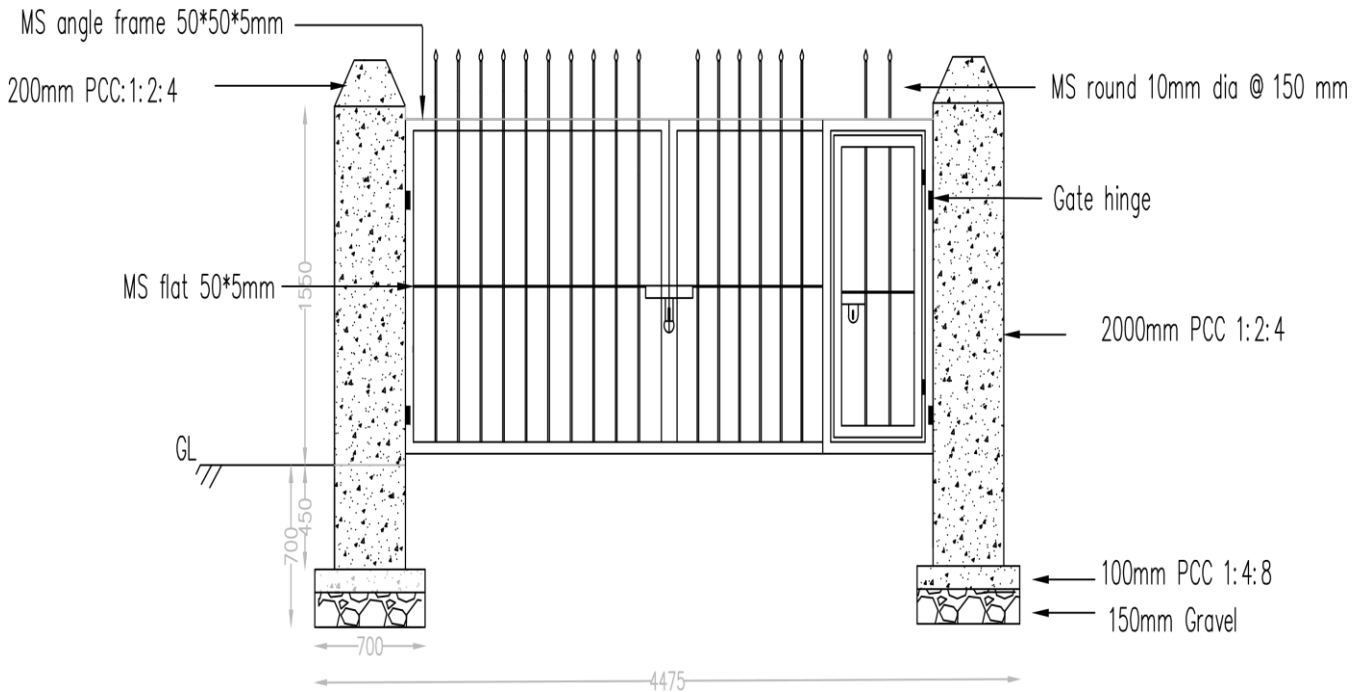
SECTION 9. DRAWINGS



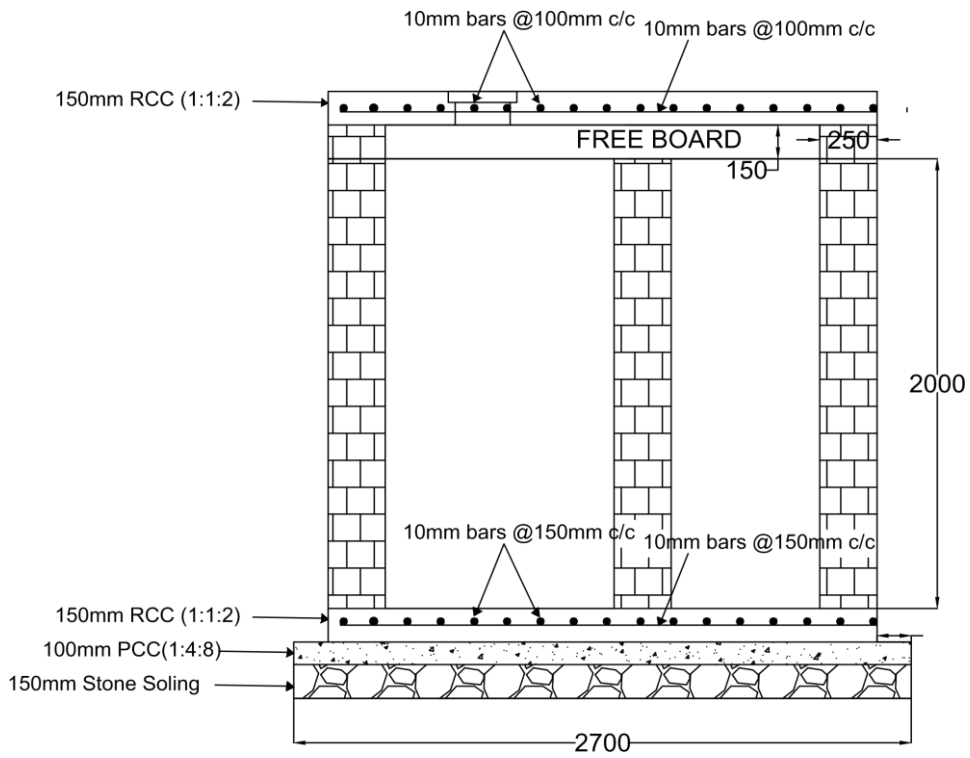
SECTION VIEW



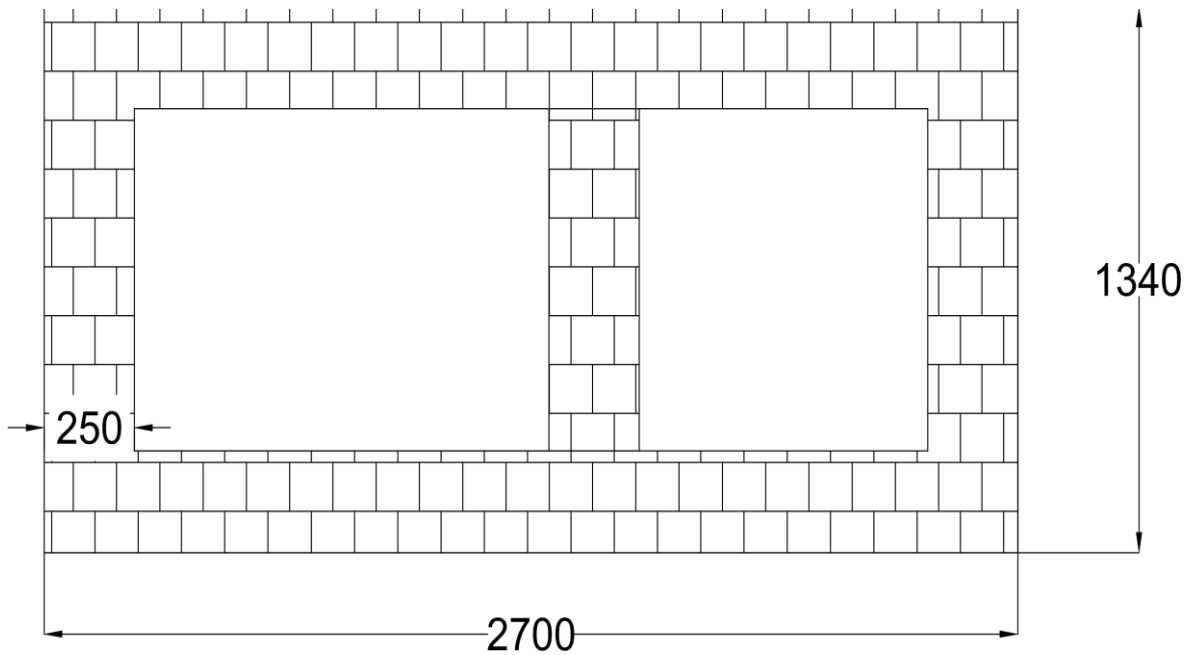
FRONT ELEVATION VIEW



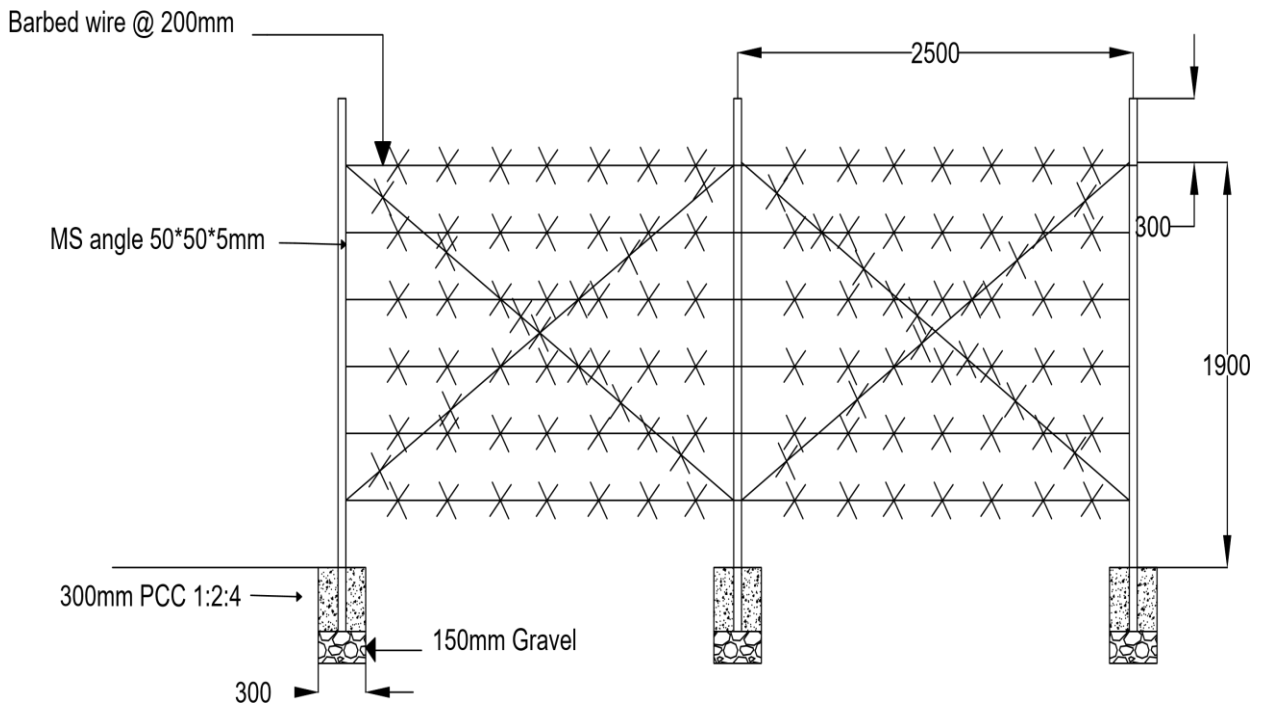
FRONT ELEVATION VIEW



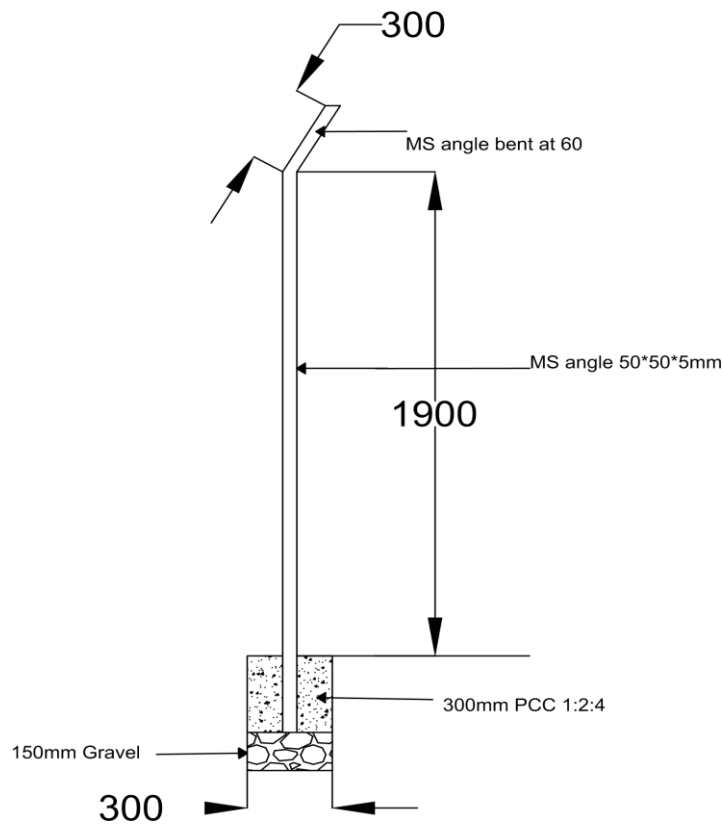
SECTION



Layout



Elevation front view



Section view
INTEGRITY PACT

Grass
Grass area
Grass
Grass
Grass
Footpath of width 600m
Grass
Grass
Grass area
area
area
area
area

1 General:

Whereas **chief engineer** representing the **National Center for Hydrology and Meteorology, Royal Government of Bhutan**, hereinafter referred to as the “**Employer**” on one part, and

..... Representing M/s.

....., hereinafter referred to as the “**Bidder**” on the other part hereby execute this agreement as follows:

This agreement shall be a part of the standard bidding document, which shall be signed by both the parties at the time of purchase of bidding documents and submitted along with the tender document. This IP is applicable only to “**small**” scale works, goods and services, the threshold of which will be announced by the government from time to time. The signing of the IP shall not apply to framework contracting such as annual office supplies etc.

2 Objectives:

Whereas, the Employer and the Bidder agree to enter into this agreement, hereinafter referred to as IP, to avoid all forms of corruption or deceptive practice by following a system that is fair, transparent and free from any influence/unprejudiced dealings in the **bidding process**

2.1 Enabling the Employer to obtain the desired contract at a reasonable and competitive price in conformity to the defined specifications of the works or goods or services; and

2.2 Enabling bidders to abstain from bribing or any corrupt practice in order to secure the contract by providing assurance to them that their competitors will also refrain from bribing and other corrupt practices.

3. Scope:

The validity of this IP shall cover the bidding process and contract administration period.

4. Commitments of the Employer:

The Employer Commits itself to the following:-

4.1 The Employer hereby undertakes that no officials of the Employer, connected directly or indirectly with the contract, will demand, take a promise for or accept, directly or through intermediaries, any bribe, consideration, gift, reward, favor or any material or immaterial benefit or any other advantage from the Bidder, either for themselves or for any person, organization or third party related to the contract in exchange for an advantage in the bidding process and contract administration.

4.2 The Employer further confirms that its officials shall not favor any prospective bidder in any form that could afford an undue advantage to that particular bidder in the bidding process and contract administration and will treat all Bidders alike.

4.1 Officials of the Employer, who may have observed or noticed or have reasonable suspicion shall report to the head of the employing agency or an appropriate government office any violation or attempted violation of clauses 4.1 and 4.2.

4.4 Following report on violation of clauses 4.1 and 4.2 by official (s), through any source, necessary disciplinary proceedings, or any other action as deemed fit, including criminal proceedings shall be initiated by the Employer and such a person shall be debarred from further dealings related to the bidding process and contract administration.

5. Commitments of Bidders

The Bidder commits himself/herself to take all measures necessary to prevent corrupt practices, unfair means and illegal activities during any stage of the bidding process and contract administration in order to secure the contract or in furtherance to secure it and in particular commits himself/herself to the following :-

5.1 The Bidder shall not offer, directly or through intermediaries, any bribe, gift, consideration, reward, favor, any material or immaterial benefit or other advantage, commission, fees, brokerage or inducement to any official of the Employer, connected directly or indirectly with the bidding process and contract administration, or to any person, organization or third party related to the contract in exchange for any advantage in the bidding process and contract administration.

5.2 The Bidder shall not collude with other parties interested in the contract to manipulate in whatsoever form or manner, the bidding process and contract administration.

5.3 If the bidder(s) have observed or noticed or have reasonable suspicion that the provisions of the IP have been violated by the procuring agency or other bidders, the bidder shall report such violations to the head of the procuring agency.

6. Sanctions for Violation:

The breach of any of the aforesaid provisions shall result in administrative charges or penal actions as per the relevant rules and laws.

6.1 The breach of the IP or commission of any offence (forgery, providing false information, misrepresentation, providing false/fake documents, bid rigging, bid steering or coercion) by the

Bidder, or any one employed by him, or acting on his/her behalf (whether with or without the knowledge of the Bidder), shall be dealt with as per the terms and conditions of the contract and other provisions of the relevant laws, including De-barment Rules.

6.2 The breach of the IP or commission of any offence by the officials of the procuring agency shall be dealt with as per the rules and laws of the land in vogue.

1. Monitoring and Administration:

7.1 The respective procuring agency shall be responsible for administration and monitoring of the IP as per the relevant laws.

7.2 The bidder shall have the right to appeal as per the arbitration mechanism contained in the relevant rules. We, hereby declare that we have read and understood the clauses of this agreement and shall abide by it. The parties hereby sign this Integrity Pact at (*place*) _____ on (*date*) _____

Affix
Legal
Stamp

Affix
Legal
Stamp

Employer
CID:

Bidder Representative
CID:

Witness:

Witness:

Name:
CID:

Name:
CID: